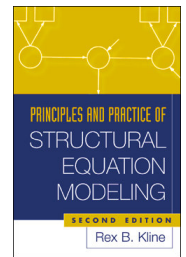


First Printing Errata

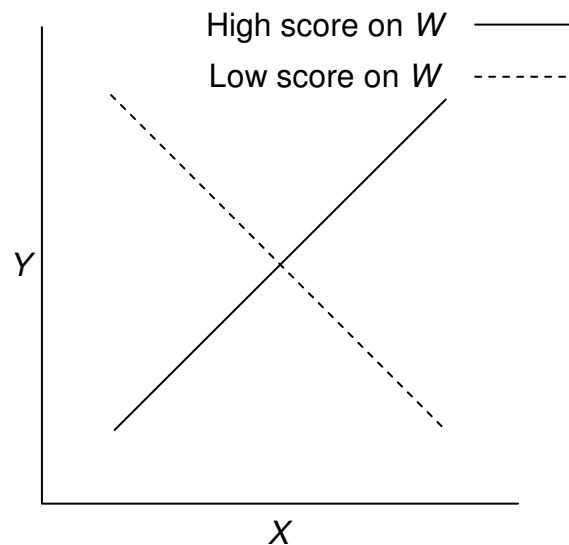
Kline, R. B. (2004). *Principles and practice of structural equation modeling* (2nd ed.). New York: Guilford Press.



Chapter 2

p. 24, Figure 2.1(c): Legend should be “High score on W —” and “Low score on W - - - - -” (correct version follows):

(c) Interactive Relation



p. 28, 2nd paragraph, equation for intercept: Change “ $A = 25.000 - .454 (11.000) = 20.000$ ” to “ $A = 25.000 - .455 (11.000) = 20.000$ ”

Chapter 4

p. 79, footnote 1: Change “www.smallwaters.com” to “spss.com/amos”

p. 80, add to end of 4th paragraph: “A free student version is also available.²”

p. 80, add footnote 2: “²www.amosdevelopment.com/download/”

p. 81, 1st heading: Increment footnote number (change “**CALIS²**” to “**CALIS³**”)

p. 81, 1st paragraph, line 14: Change “(Covariance Structure Analysis; Fraser, 1990)³” to “(Covariance Structure Analysis; Fraser, 1990)⁴”

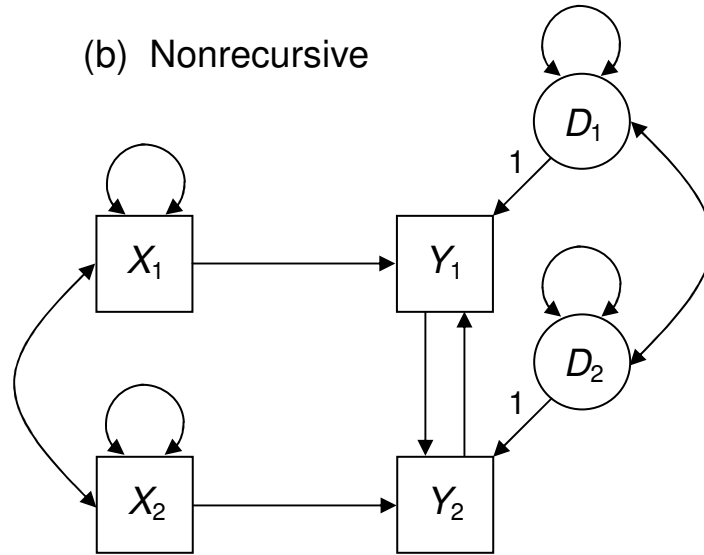
p. 81, footnote 2: Increment footnote number (change “²” to “³”)

- p. 81, footnote 3: Increment footnote number (change “³” to “⁴”)
- p. 81, footnote 4: Increment footnote number (change “⁴” to “⁵”)
- p. 81, 2nd heading: Increment footnote number (change “EQS⁴” to “EQS⁵”)
- p. 83, 1st heading: Increment footnote number (change “LISREL⁵” to “LISREL⁶”)
- p. 83, footnote 5: Increment footnote number (change “⁵” to “⁶”)
- p. 85, 1st paragraph, lines 1-2: Change “A free student edition that can analyze available models with up to 12 observed variables is also available.⁶” to “A free student edition is also available.⁷”
- p. 85, 1st heading: Increment footnote number (change “Mplus⁷” to “Mplus⁸”)
- p. 85, footnote 6: Change “⁶www.ssicentral.com/other/entry.htm” to “⁷www.ssicentral.com/lisrel/student.html”
- p. 85, footnote 7: Increment footnote number (change “⁷” to “⁸”)
- p. 86, 1st paragraph, line 3: Increment footnote number (change “censored⁸” to “censored⁹”)
- p. 86, 1st heading: Increment footnote number (change “Mx Graph⁹” to “Mx Graph¹⁰”)
- p. 86, footnote 8: Increment footnote number (change “⁸” to “⁹”)
- p. 86, footnote 9: Increment footnote number (change “⁹” to “¹⁰”)
- p. 87, 2nd paragraph, line 10: Increment footnote number (change “¹⁰” to “¹¹”)
- p. 87, 1st heading: Increment footnote number (change “RAMONA¹¹” to “RAMONA¹²”)
- p. 87, footnote 10: Increment footnote number (change “¹⁰” to “¹¹”)
- p. 87, footnote 11: Increment footnote number (change “¹¹” to “¹²”)
- p. 88, 1st heading: Increment footnote number (change “SEPATH¹²” to “SEPATH¹³”)
- p. 88, footnote 12: Increment footnote number (change “¹²” to “¹³”)

Chapter 5

- p. 103, Figure 5.1(b): Delete the paths $X_1 \rightarrow Y_2$ and $X_2 \rightarrow Y_1$ (correct version follows):

(b) Nonrecursive



Chapter 6

- p. 144, Table 6.4: Change equation for NNFI from “ $1 - NC_M / NC_B$ ” to “ $(NC_B - NC_M) / (NC_B - 1)$ ”
- p. 144, Table 6.4: Change equation for RNI from “ $1 - (\chi_M^2 / df_M)(\chi_B^2 / df_B)$ ” to “ $1 - (\chi_M^2 - df_M) / (\chi_B^2 - df_B)$ ”
- p. 144, Table 6.4: Change equation for ECVI from “ $(\chi_M^2 - 2q) / (N - 1)$ ” to “ $(\chi_M^2 + 2q) / (N - 1)$ ”
- p. 144, Table 6: Change equation for BIC from “ $\chi_M^2 + q (\ln N) v$ ” to “ $\chi_M^2 + q \ln [N v (v + 1) / 2]$ ”
- p. 144, Table 6: Change equation for GFI from “ $1 - \mathbf{V}_{res} / \mathbf{V}_{tot}$ ” to “ $1 - F_{ML} / F_0$ ”
- p. 144, Table 6, Note: Replace “ \mathbf{V}_{res} , unexplained variability in sample covariance matrix; \mathbf{V}_{tot} , total variability in sample covariance matrix;” with “ F_{ML} , value of fit function for the researcher’s model; F_0 , value of fit function when all model parameters are zero;”

Chapter 7

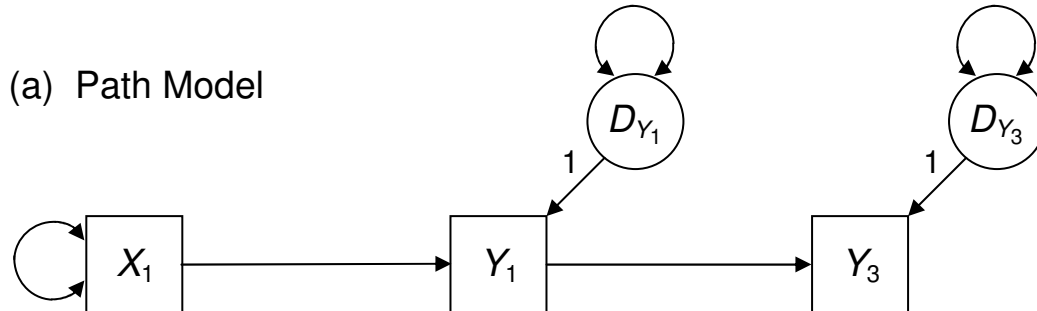
- p. 170, 1st paragraph, line 3: Change “ $v (v + 1)$ ” to “ $v (v + 1) / 2$ ”
- p. 183, 2nd paragraph, line 10: Change “The proportion of unexplained variance” to “The proportion of explained variance”
- p. 184, Table 7, row for Affective \curvearrowright Cognitive: Change the unstandardized factor covariance from “705.470” to “705.473”
- p. 184, Table 7, row for Affective \curvearrowright Cognitive: Change the standard error from “86.358” to “86.359”

p. 200, 2nd paragraph, lines 2-3: Change from “9 direct effects (7 on indicators from first-order factors, 2 on first-order factors from g) for a total of 23” to “8 direct effects (6 on indicators from first-order factors, 2 on first-order factors from g) for a total of 22”

p. 200, 2nd paragraph, line 5: Change from “so $df = 55 - 23 = 32.$ ” to “so $df = 55 - 22 = 33.$ ”

Chapter 8

p. 210, Figure 8.1(a): Change “ E_{Y_1} ” to “ D_{Y_1} ” and “ E_{Y_3} ” to “ D_{Y_3} ” (correct version follows):



p. 223, Figure 8.3(a): Change the estimated correlation between the Familial Risk factor and the Classroom Adjustment factor from “ $-.479$ ” to “ $-.419$ ”

p. 225, Figure 8.4(a): Change the estimated error correlation for the Reading indicator and the Arithmetic indicator from “ $-.021^{ns}$ ” to “ $.021^{ns}$ ” and change the estimated error correlation for the Arithmetic indicators and the Spelling indicator from “ $-.051^{ns}$ ” to “ $.051^{ns}$ ”

p. 225, Figure 8.4(b): Change the estimated path coefficient for the path Cognitive/Achievement → Classroom Adjustment from “ $.663$ ” to “ $.663$ ”

p. 231, Figure 8.5(a): Replace “ $.2 s_{X_1}^2$ ” with “ $.2 s_{X_1}^2$ ” (italicize statistical symbols)

p. 231, Figure 8.5(b): Replace “ $.3 s_{Y_1}^2$ ” with “ $.3 s_{Y_1}^2$ ” (italicize statistical symbols)

Chapter 11

p. 305, Table 11.5, row for $\hat{\Delta}$ → FOE: Change “ 3.264 ” to “ 3.196^{ab} ”

p. 305, Table 11.5, row for $\hat{\Delta}$ → FOE: Change “ 1.618 ” to “ 1.643 ”

p. 305, Table 11.5, row for $\hat{\Delta}$ → Mar Adj: Change “ $.794^{ab}$ ” to “ $.665^{ab}$ ”

p. 305, Table 11.5, row for $\hat{\Delta}$ → Mar Adj: Change “ 3.335 ” to “ 3.275 ”

- p. 305, Table 11.5, row for $\hat{\Delta}_1$ → Father: Change “83.030” to “83.079” (both entries)
- p. 305, Table 11.5, row for $\hat{\Delta}_1$ → Father: Change “1.054” to “1.055” (both entries)
- p. 305, Table 11.5, row for $\hat{\Delta}_1$ → Mother: Change “84.476” to “84.493” (both entries)
- p. 305, Table 11.5, row for $\hat{\Delta}_1$ → Fa-Mo: Change “81.407” to “81.535” (both entries)
- p. 305, Table 11.5, row for $\hat{\Delta}_1$ → Fa-Mo: Change “1.162” to “1.153” (both entries)
- p. 305, Table 11.5, row for $\hat{\Delta}_1$ → Probs: Change “158.266” to “158.330” (both entries)
- p. 305, Table 11.5, row for $\hat{\Delta}_1$ → Probs: Change “2.678” to “2.664” (both entries)
- p. 305, Table 11.5, row for $\hat{\Delta}_1$ → Intim: Change “137.819” to “137.871” (both entries)
- p. 305, Table 11.5, row for $\hat{\Delta}_1$ → Intim: Change “1.986” to “1.987” (both entries)
- p. 305, 1st paragraph, line 3: Change “3.264” to “3.196”
- p. 305, 1st paragraph, line 4: Change “3.264” to “3.196”
- p. 305, 1st paragraph, line 7: Change “1.618” to “1.643”
- p. 305, 1st paragraph, line 9: Change “ $3.264/2.017 = 2.017$ ” to “ $3.196/1.643 = 1.946$ ”
- p. 305, 1st paragraph, line 13: Change “3.264” to “3.196”
- p. 305, 1st paragraph, line 14: Change “is thus statistically significant” to “falls just short of statistical significance”
- p. 306, 1st paragraph, line 1: Delete “however,”
- p. 306, 1st paragraph, line 2: Change “.794” to “.665”
- p. 306, 1st paragraph, line 2: Change “is not” to “is also not”
- p. 306, 1st paragraph, line 3: Change “ $.794/.335 = .238$ ” to “ $.665/3.275 = .203$ ”
- p. 306, Table 11.6, table title: Change “(Correlations, Standard Deviations, Means)” to “(Correlations, Standard Deviations)”

Chapter 13

p. 330, footnote 2: Change “²www.wright.edu/~robert.ping/research1.htm” to
“http://home.att.net/~rpingjr/”

Back cover, paperback edition

“New to this edition” text box, line 9: Change “nonrecursive models of multiple-sample SEM” to “nonrecursive models and multiple-sample SEM”